

## ML949 Stainless Steel Double Toilet Roll Holder & Shelf

### Material Specifications

- #304 Stainless Steel Shelf and Hoods
- 1.5mm Thick Shelf
- ABS Holders & Anti-Theft Spindles
- Seamless Welds and Rolled Edges for Safety

### Mounting

- Surface Mount Visible Fix

### Dimensions

- 375mmW x 119mmH x 130mmD

### Finish

- Satin Stainless Steel

### Installation Guidelines

- *May be subject to Australian Building Code Regulations for height and location fixing and may be subject to placement as per architectural drawings. In all cases, this is the responsibility of the installer.*
- *Fixings and anchors are not included with the units and are the responsibility of the installer to appropriately fix the unit to the wall.*

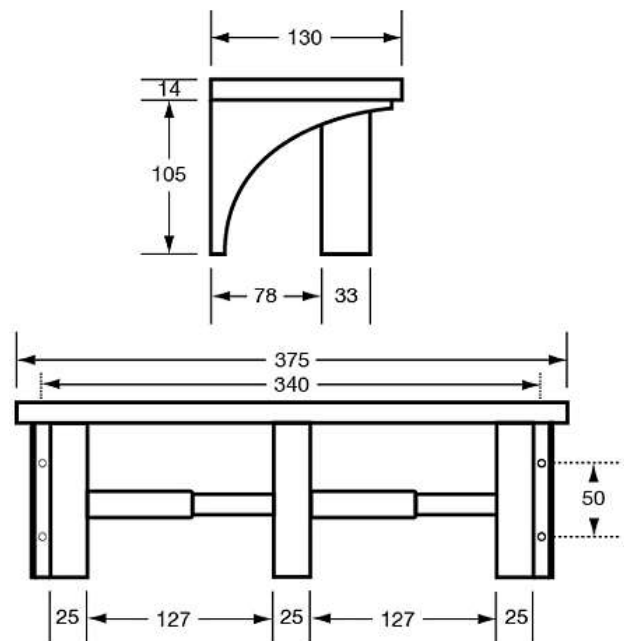
1. Determine appropriate installation height and location using the mounting holes at the back of the toilet roll dispenser.
2. Use fixings provided to fasten to the wall or partition.
3. Ensure unit is level and secure to finish installation.

### Operation

- Toilet rolls are self-feeding until supply is depleted.
- Rollers are spring loaded and are free-rolling.

### Features

- Holds two standard toilet rolls
- Comes with hoods
- Shelf can hold spare toilet rolls



*The technical recommendations contained in this document are necessarily of a general nature and should not be relied on for specific applications without first securing competent advice. Whilst Metlam Australia Pty Ltd has taken all reasonable steps to ensure the information contained herein is accurate and current, it does not warrant the accuracy or completeness of the information and does not accept liability for errors or omissions. Any Commercial product should only be installed by a competent tradesperson and serviced/maintained by knowledgeable janitorial staff or competent people. Metlam Australia accepts no responsibility for any damage to product, walls or fixtures due to incorrect installation or maintenance of any of their products.*

The photographs and line drawings of the products presented above are representational only.  
Metlam Australia Pty Ltd reserves the right to, and from time to time, make changes and improvements in design and dimensions.